

## Handling System Sorting Table, Side Connection, Left to Right, 1700x715mm

ITEM # \_\_\_\_\_

MODEL # \_\_\_\_\_

NAME # \_\_\_\_\_

SIS # \_\_\_\_\_

AIA # \_\_\_\_\_



865485 (BHSTS17L)

Sorting table, side connection,  
Left>Right, 1700x715 mm

### Main Features

- The sorting table must be installed together with the pre-wash infill top or roller conveyor with a deep basin on the loading side.
- Equipped with over-shelf and scrape hole for scraping food waste, placing and sorting items all in one table for space saving.

### Construction

- All surfaces smooth with polished finish.
- Receiving tabletop with raised side edges all-round, reduces the possibility of crockery being pushed off the table.
- Constructed in AISI 304 stainless steel with square 40x40mm legs.
- Sorting table provided with an over-shelf for dishwashing racks which can be inclined at either the dishwashing or receiving side.
- Connection from side.
- One waste hole with a rubber scrape ring tabletop.
- Optionally equipped with tray slider, scrape plate and shelf for plates/ baskets.

### Optional Accessories

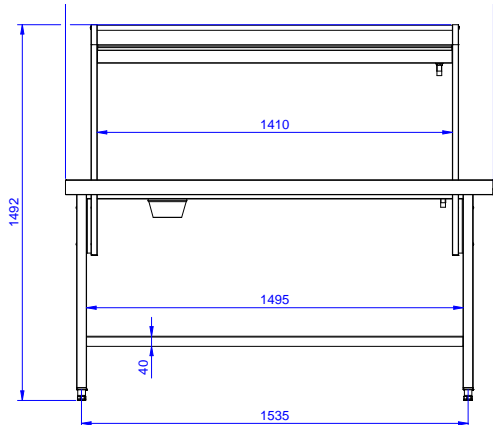
- Dish scraper PNC 855297
- Shelf for plates and baskets, 1700 mm PNC 865376
- Tray slide for sorting table, 1700 mm PNC 865380
- Cutlery chute to install on tray slide PNC 865383
- Floor fastening kit for 2 square legs PNC 865386
  
- Removable bridge table, 800 mm PNC 865418
- Removable bridge table with hole, 800 mm PNC 865419

APPROVAL: \_\_\_\_\_

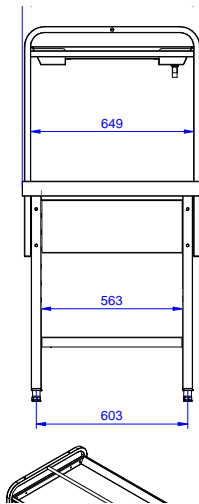
**Key Information:**

External dimensions, Width: 865485 (BHSTS17L)	1700 mm
External dimensions, Depth:	715 mm
External dimensions, Height:	1551 mm
Net weight:	50 kg

**Front**



**Side**



**Top**

